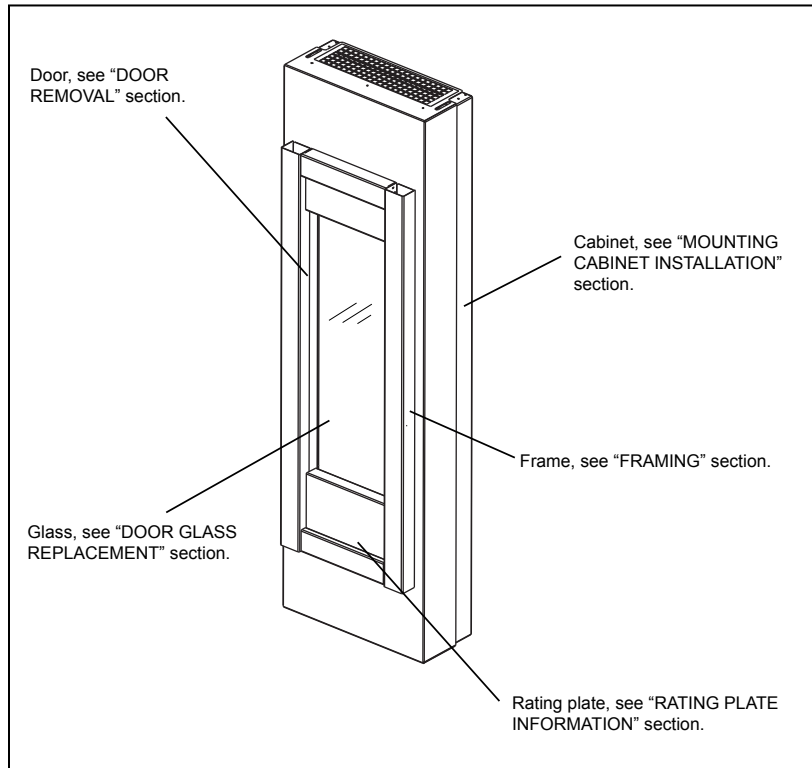


# RIVERSIDE TORCH® OUTDOOR GAS FIREPLACE

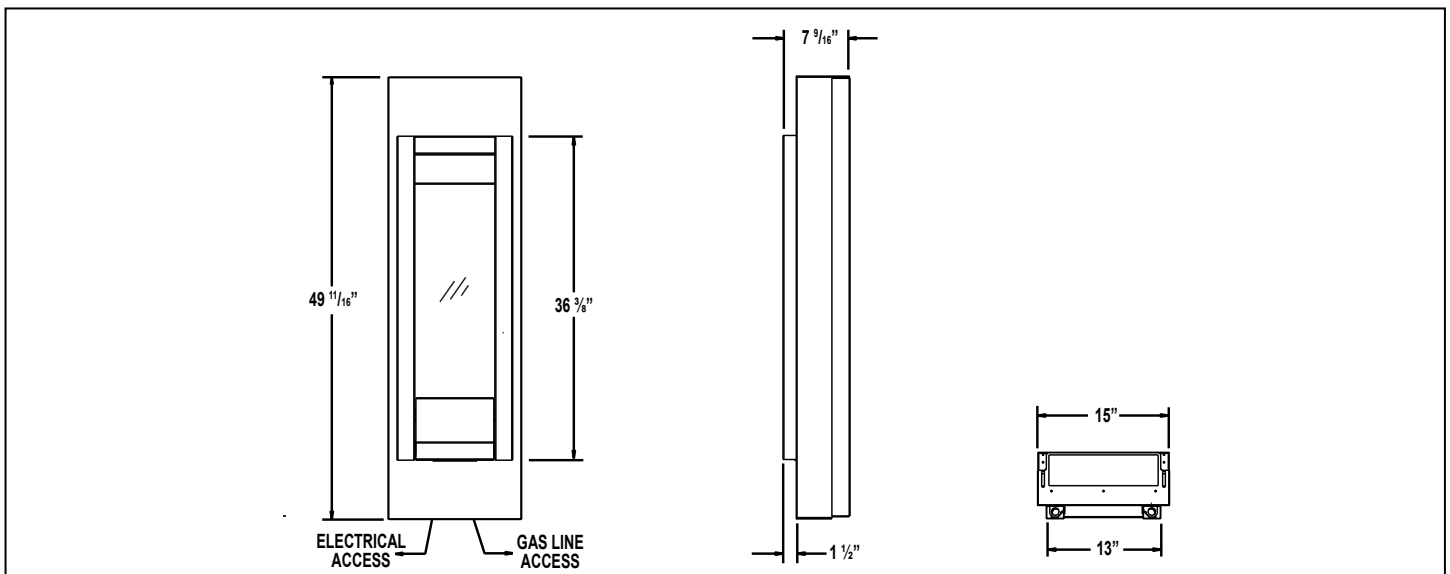
## Specifications

Model	BTU	Width	Height	Depth	Glass
GSST8	6,000	15	49 11/16	7 9/16	10.5 X 26

## Overview



## Dimensions



# RIVERSIDE TORCH® OUTDOOR GAS FIREPLACE

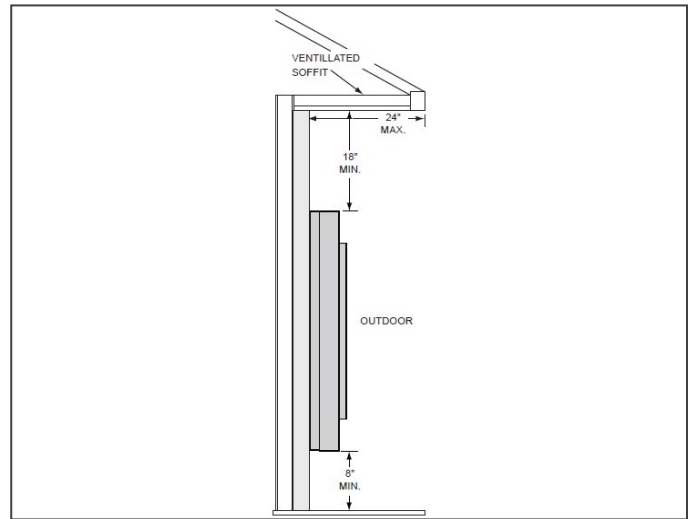
## Framing & Clearances

### Minimum Fireplace Clearances

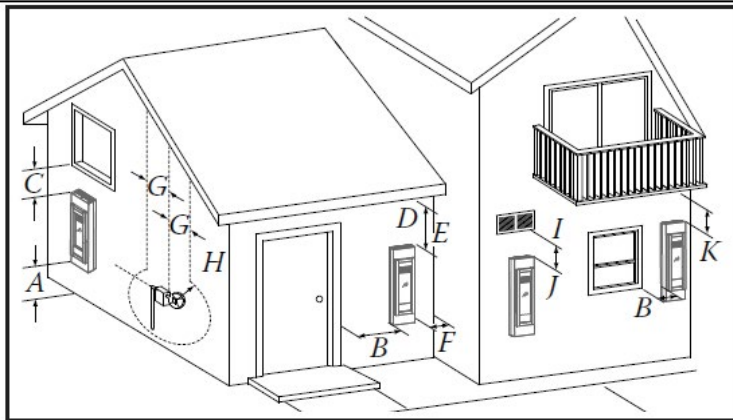
#### MINIMUM CLEARANCES TO COMBUSTIBLES:

- 18" to top
- 1" to sides
- 8" to bottom
- 0" to rear

### Installation



### Framing Dimensions



	INSTALLATIONS		
	CANADA	U.S.A.	
A	8 INCHES	8 INCHES	Clearance above grade, veranda porch, deck or balcony.
B	12 INCHES	9 INCHES	Clearance to windows or doors that open.
C	12 INCHES*	12 INCHES*	Clearance to permanently closed windows.
D	18 INCHES**	18 INCHES**	Vertical clearance to ventilated soffit.
E	12 INCHES**	12 INCHES**	Vertical clearance to an unventilated soffit.
F	1 INCH	1 INCH	Clearance to an inside combustible corner wall or protruding combustible obstructions. (vent chase, etc.)
G	3 FEET	3 FEET***	Clearance to each side of the centre line extended above the metre/regulator assembly to a maximum vertical distance of 15 ft.
H	3 FEET	3 FEET***	Clearance to a service regulator vent outlet.
I	12 INCHES	9 INCHES	Clearance to a non-mechanical air supply inlet to the building or a combustion air inlet to any other appliance.
J	6 FEET	3 FEET****	Clearance to a mechanical air supply inlet.
K	12 INCHES	12 INCHES****	Clearance under a veranda, porch, deck or balcony.

\* Recommended to prevent condensation on windows and thermal breakage.  
 \*\* It is recommended to use a heat shield and to maximize the distance to vinyl clad soffits.  
 \*\*\* This is a recommended distance. For additional requirements check local codes.  
 \*\*\*\* Three feet above if within 10 feet horizontally.

Product information provided is not complete and is subject to change without notice. Please consult the installation manual for the most up to date installation information.